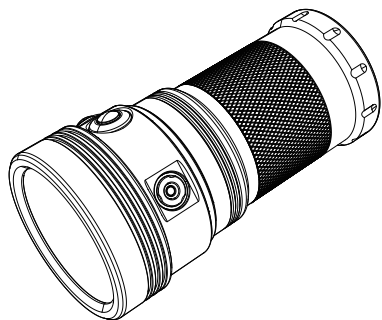


## Underwater Photography Video Light

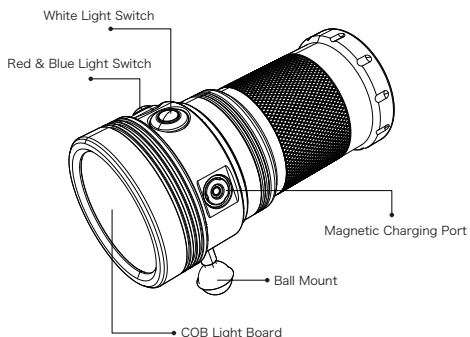
— USER MANUAL —



**7000 Lumens**  
**IPX8 waterproof, underwater@100m**

Please read this manual carefully before use!

## Product Overview

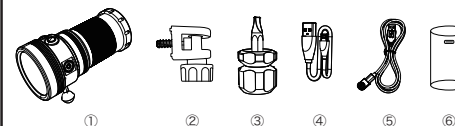


- Brightness up to 7000 lumens to ensure the light of underwater photography
- IPX8 waterproof, support 100m underwater use.
- Two button design, can quickly switch the light mode.
- A variety of light modes to protect your underwater photography images.

## Product Features

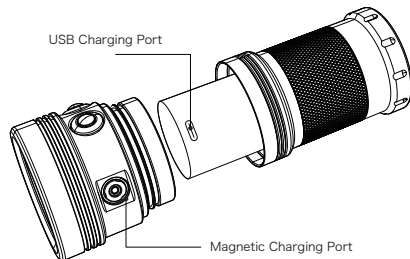
Brightness	High Mode: 7000 Lumens	LED Chip	1*COB Light Board
	Mid Mode: 4000 Lumens	Light Effect	Floodlight
	Low Mode: 2400 Lumens	Beam Angle	120°
Light Mode & Runtime	White Light High Mode: 1.25h	Housing Material	Aluminum Alloy
	White Light Mid Mode: 1.5h	Impact Resistance	1m
	White Light Low Mode: 4.5h	Battery	4*18650 Li-ion Battery Pack /12000mAh
Runtime	Red Light: 4.5h	Waterproof	IPX8 underwater@100m
	Blue Light: 5h	Dimension	124*65*54mm
	Red Strobe(1Hz): 20H	Net Weight	696g(with battery)
	Red Strobe(5Hz): 15H		
	Red & Blue Strobe: 4h		

## Product Includes



- ① Underwater Video Light with Ball Mount  
② YS Adapter      ③ Screwdriver      ④ USB Cable  
⑤ Magnetic Charging Cable      ⑥ 4\*18650 Battery Pack

## About Battery



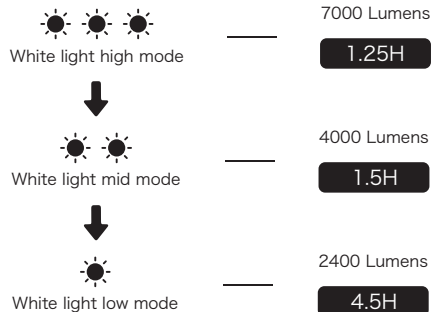
- ① Unscrew the light to remove the battery pack.
- ② Please only use the USB charging cable included in the package to charge the battery pack.
- ③ When the battery is fully charged and needs to be put back, please pay attention to the positive and negative terminals of the battery.
- ④ You can also charge the light directly through the magnetic charging port with the magnetic charging cable included in the package without unscrewing the light.

## Operation Instruction

**TURN ON:** Press the button once to turn on the light and switch the light mode.

**TURN OFF:** Press and hold the button for more than 2s in any mode to turn off the light.

### WHITE LIGHT BUTTON:



### COLORED LIGHT BUTTON:

Red light-> Red strobe(1Hz)-> Blue light

### Hidden Function:

Press twice quickly in Red light/strobe(1Hz) mode to turn on Red Strobe(5Hz).  
Press twice quickly in Blue Light mode to turn on Blue & Red Light Strobe.

## ATTENTION!

- ★ Do not point the light beam directly into your or someone else's eyes.
  - ★ Do not direct the light beam to dry, flammable materials over long periods of time.
  - ★ Do not unscrew the light when it is wet or underwater.
  - ★ Do not touch the battery or the charger with wet hands.
  - ★ Do not use underwater photography light aside from its intended purpose.
  - ★ Please only use the accompanying 18650 battery pack for this light.
  - ★ Please remove the battery and put it in dry place when storing.
  - ★ Do not repair or disassemble the light, battery and any accessories by yourself.
- Please contact the local dealer or our customer service team in case of failure.

## Maintenance

- \*Please rinse the light in fresh water after a diving session.
- \*Please check the O-ring to see whether there are any damage, dust, grit and so on before using it.
- \*Please charge and discharge the battery every 6 months.
- \*Please do not use sharp tools to remove the O-ring.
- \*Please do not expose your light to sunlight for a long time.
- \*Please keep the light dry before storage.